



GENERAL PNEUMATIC AUTOMATION

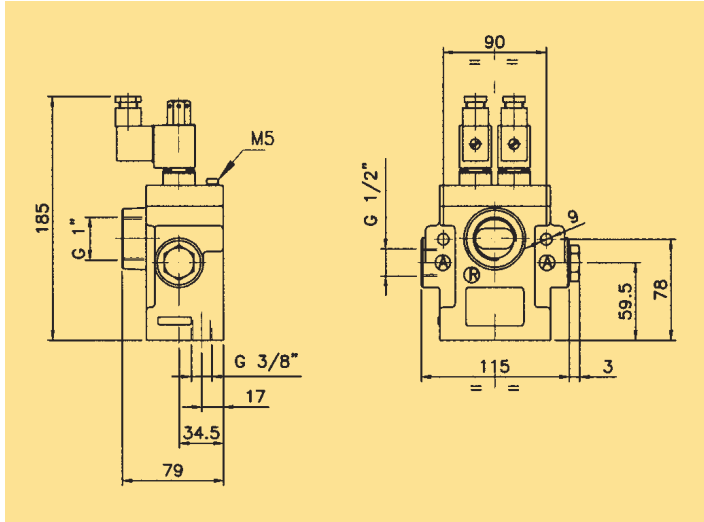


MEP-A

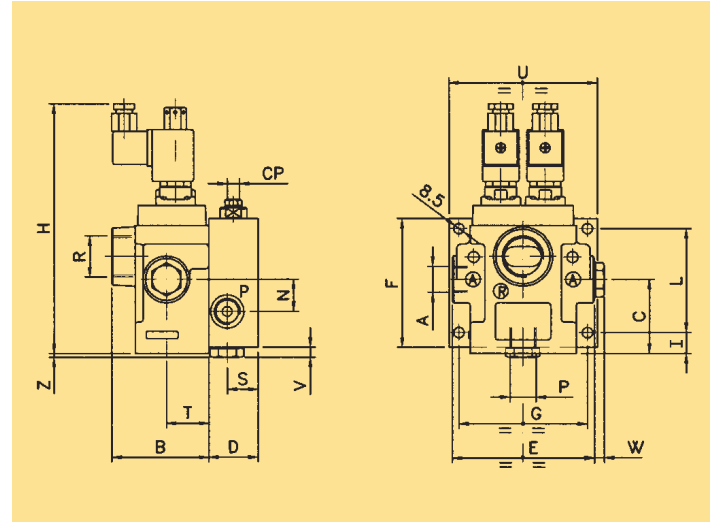
Redundant Safety Valves
with inherent dynamic monitoring



Metalforming Presses • Can Bodymakers • Shears • Press Brakes • Compacting Presses • Cold Headers • Die Cutters



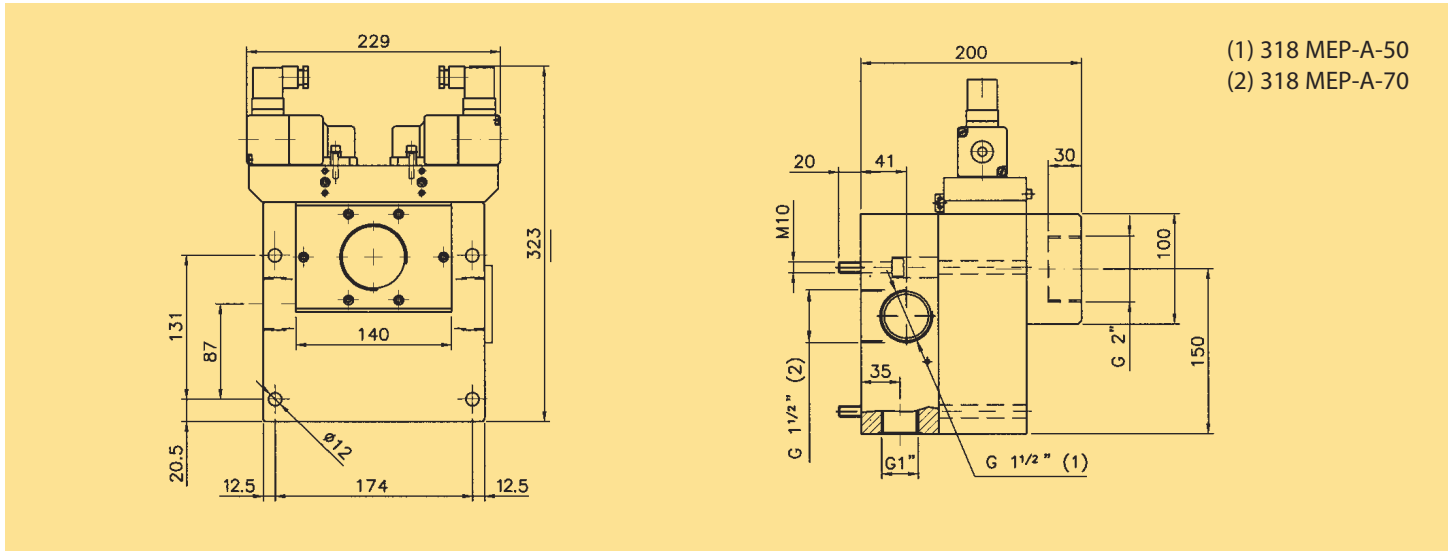
313 MEP-A



314 MEP-A / 316 MEP-A

	A	P	R	B	C	D	E	F	G	H	I	L	N	S	T	U	V	W	Z	CP
314 MEP-A-50	1/2"	1/2"	1"	79	60	40	115	100	104	202	17	84	26	25	34,5	120	3	3	-	1/8"
314 MEP-A-52	3/4"	1/2"	1"	79	58,2	40	113	100	104	202	17	84	24,2	25	34,5	120	3	3	-	1/8"
316 MEP-A	1"	3/4"	1 1/2"	104	63	40	166	120	154	239	8	104	35	20	43,5	170	7	7	7	1/8"

318 MEP-A



(1) 318 MEP-A-50
(2) 318 MEP-A-70



G.P.A. ITALIANA S.p.A. - Via L. da Vinci, 25 - 22074 Lomazzo (CO) - ITALY
 Tel. +39 02 96779406 - Fax +39 02 96370473
 E-mail: gpa@gpa-automation.com - www.gpa-automation.com

Authorized U.S. Distributor
TORQUE TECHNOLOGIES, INC.



Mailing Address: P.O. Box 25008
 Sarasota, FL 34277-2008 USA
Warehouse Address:
 1623 West University Pkwy
 Sarasota, FL 34243 USA

Toll-Free: 1-800-813-0844
Phone: 1-941-358-9447
Fax: 1-941-358-9647
Web: www.gpa-tech.com
Email: sales@gpa-tech.com